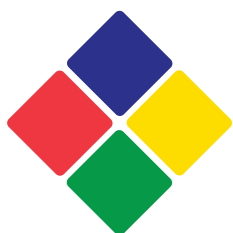


LED CONTOUR LIGHTING



LUCOLED

Experience Lighting

Q3 2021

LUCOLED

CONTOUR LIGHTING

Lucoline®	4
Lucoflex	6
Lucoflex D	8
Lucoflex RGB-TOP BEND	10
Lucoflex RGB-SIDE BEND	12
Lucoflex RGB-DOT CONTROLLABLE	14
Lucoflex SLIM EXTREME CUTTABLE	16
Lucoflex SLIM	18

POWER SUPPLIES / ACCESSOIRES

POWER SUPPLIES / CONTROLS	20
---------------------------	----



LUCOLED

Experience Lighting

LUCOLED: NOT JUST ANOTHER LED COMPANY

PAY FOR PERFORMANCE

At LucoLED we operate at the simple principle that the customer should only pay for product performance and not for the overhead and excessive margins most major brands add to their cost.

It is LucoLED's mission to provide fit for purpose, reliable and efficient lighting solutions for visual communication and brand identity.

EXPERIENCE

LucoLED is based on over 20 years of experience in the signage industry and has developed an in depth knowledge of the basic needs of the market. Backed by industry leading design and production facilities LucoLED provides high quality products with exceptional performance and warranties.

LucoLED's ODM production uses state of the art equipment and has extensive R&D facilities. Besides a range of standard products LucoLED can also offer tailor made solutions with minimum lead time.

COMPLETE SOLUTION

LucoLED offers a complete system solution for letters, light boxes, flexible and linear accents. Including their own full range power supplies. LucoLED offers a system warranty of up to 7 years and extended warranties of up to 2 years as we believe in our products.

Although LucoLED is a new name in the market, the management behind the company has a proven track record of quality and reliability.



Lucoline®



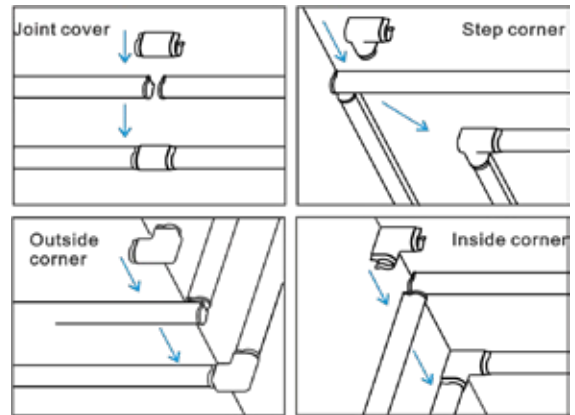
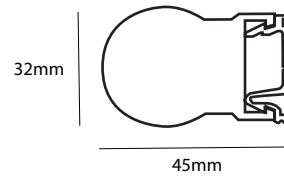
- *The most innovative border tubing in the industry*
- *5 year extended warranty*
- *All lengths available, cuttable every 55mm*
- *Bright and consistent illumination with optics*
- *Silicone coated PCB*
- *Condensation proof design with breather filter*
- *PMMA (UL94-HB) or PC (UL94-V0)*
- *Runs up to 40 meters on only one power supply*
- *RGB and RGB dot controllable versions*
- *Custom colours possible*
- *Fast and easy installation*

Lucoline® is the most suitable product for architectural accents on buildings, petrol sites and retail outlets. It has been completely redesigned to incorporate the latest LED, optics and production technology. Using silicone coated aluminium core PCB's, advanced optics, IP67 connections. Lucoline is the highest quality product, most reliable, on market today

It is available in a range of standard colours but also in RGB and even Dot Controllable RGB. It is easy to install, every section is cuttable and can be resealed easy.

SPECIFICATIONS

- Dimensions:
32mm (W) x 45mm (H)
Lengths: 2370mm, 1186mm, 600mm (x)
Cutttable every 55mm, RGB and RGBDC 145 mm
- 5 year extended warranty
- Housing material in extruded PMMA
- Mounting clips in UV stabilized polycarbonate
- Mounting clip pull force >17kgs
- Mounting clip shear force >30kgs
- JST JWPF IP67 connectors
- Constant Current Technology
- Protection class IP67
- Breather filter preventing condensation
- Operating temperature -30°C ~ +60°C



Lucoline® TUBES

Item no	Description	Brightness	W/m
L-B-x	PMS 285C Blue	450cd/m ²	5.0W/m
L-LG-x	PMS 7488C Light Green	800cd/m ²	5.0W/m
L-G-x	PMS 348 Dark Green	270cd/m ²	5.0W/m
L-LY-x	PMS 116C Lemon Yellow	1350cd/m ²	5.0W/m
L-Y-x	PMS 2010C Yellow	1500cd/m ²	5.0W/m
L-O-x	PMS 172C Orange	670cd/m ²	5.0W/m
L-RR-x	PMS 1797C Red, Red LED	400cd/m ²	5.0W/m
L-R-x	PMS 1797C Red, White LED	320cd/m ²	5.0W/m
L-P-x	PMS 235 Purple	500cd/m ²	5.0W/m
L-W-x	RAL 9016 White, 6500K	2000cd/m ²	5.0W/m
L-WW-x	RAL 9016 Warm White, 3000K	1400cd/m ²	5.0W/m
L-RGB-x	RGB	R=300cd/m ² G=780cd/m ² B=180cd/m ²	5.8W/m
L-RGBDC-x	RGB Pixel Control	W=1240cd/m ²	5.8W/m

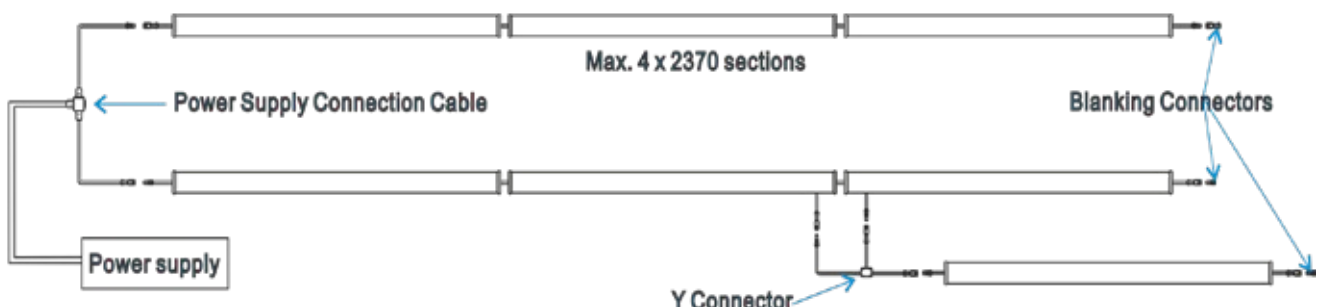
ACCESSORIES

Item no	Description
L-CLIP-S	Mounting Clip Sliding
L-CLIP-F	Mounting Clip Fixed
L-c-JNT	Joint Cover
L-c-CRN-STP	Step Corner
L-c-CRN-OUT	Outside Corner
L-c-CRN-INS	Inside Corner
L-c-END	Endcap
c = colour	
L-CAB-Y-1.5	Power Supply Y Connection Cable, 1.5 m, male and female connector
L-CAB-1.0	1 m extension cable
L-CAB-3.0	3 m extension cable
L-CON-Y	Y-Connector, 1 male and 2 female connectors
L-CON-BNK-M	Blanking Connector Male
L-CON-BNK-F	Blanking Connector Female

POWER SUPPLY CAPACITY 24V SERIES

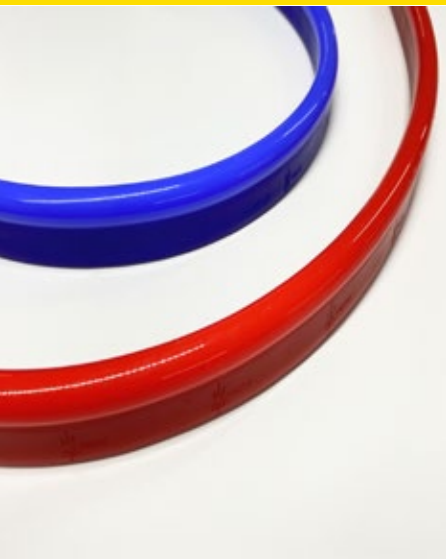
Item	PP2460	PP24100	PP24150	PP24200
Power Output	60W	100W	150W	200W
All Lucoline® colours (5.0W/m)	11m	19m	28m	38m
Maximum number of lengths in series: 4 x 2370 per leg of connection cable, 8 x 2370 per cable				

Electrical layout example.





LUCOFLEX



- *Extremely flexible, UV stable, impact resistant and flame retardant silicon extrusion*
- *Protection class IP68*
- *5 year warranty*
- *Wide colour pallet, daytime colours when non-illuminated*
- *Bright, dot-free and homogeneous light*
- *Runs up to 15 meters on only one power supply*
- *Adjustable in length, cuttable every 50mm*
- *Interfaces with all automation and control systems*

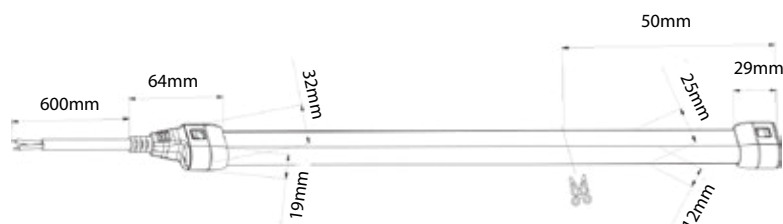
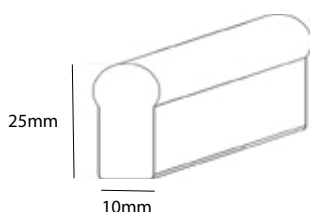
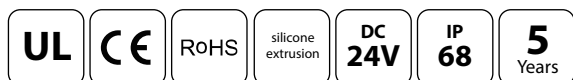
Lucoflex is the world's first worthy alternative to neon lighting and signage. With its extreme flexibility and wide colour pallet Lucoflex provides neon artists and lighting designers the creative freedom they are looking for, while still delivering a high-efficient, reliable, long life and maintenance free solution.

Lucoflex is perfect for architectural exterior and interior lighting applications as it provides high performance, dot-free and homogeneous light, ideal for highlighting the perimeters and outlines of buildings, canopies, letters, signs and open-face channel letters.

Our flexible, IP68 protected silicon extrusion is UV stable, impact resistant, flame retardant and has a high resistance to chemicals and environmental influences, and is therefore backed by our 5 year warranty.

SPECIFICATIONS

- Dimensions:
10mm (W) x 25mm (H)
Lengths of 15m (cuttable every 50mm)
Cuttable every 50mm
- UV stable, impact resistant and flame retardant silicon extrusion
- 5 year warranty
- In-field flat bend of 25mm
- UL, CE and RoHS compliant
- Constant Current Technology
- Power per meter: 9.6W/m
- Protection class IP68
- Operating temperature -25°C ~ +60°C
- in-field flat bend of 25mm (radius)



LUCOFLEX TUBES

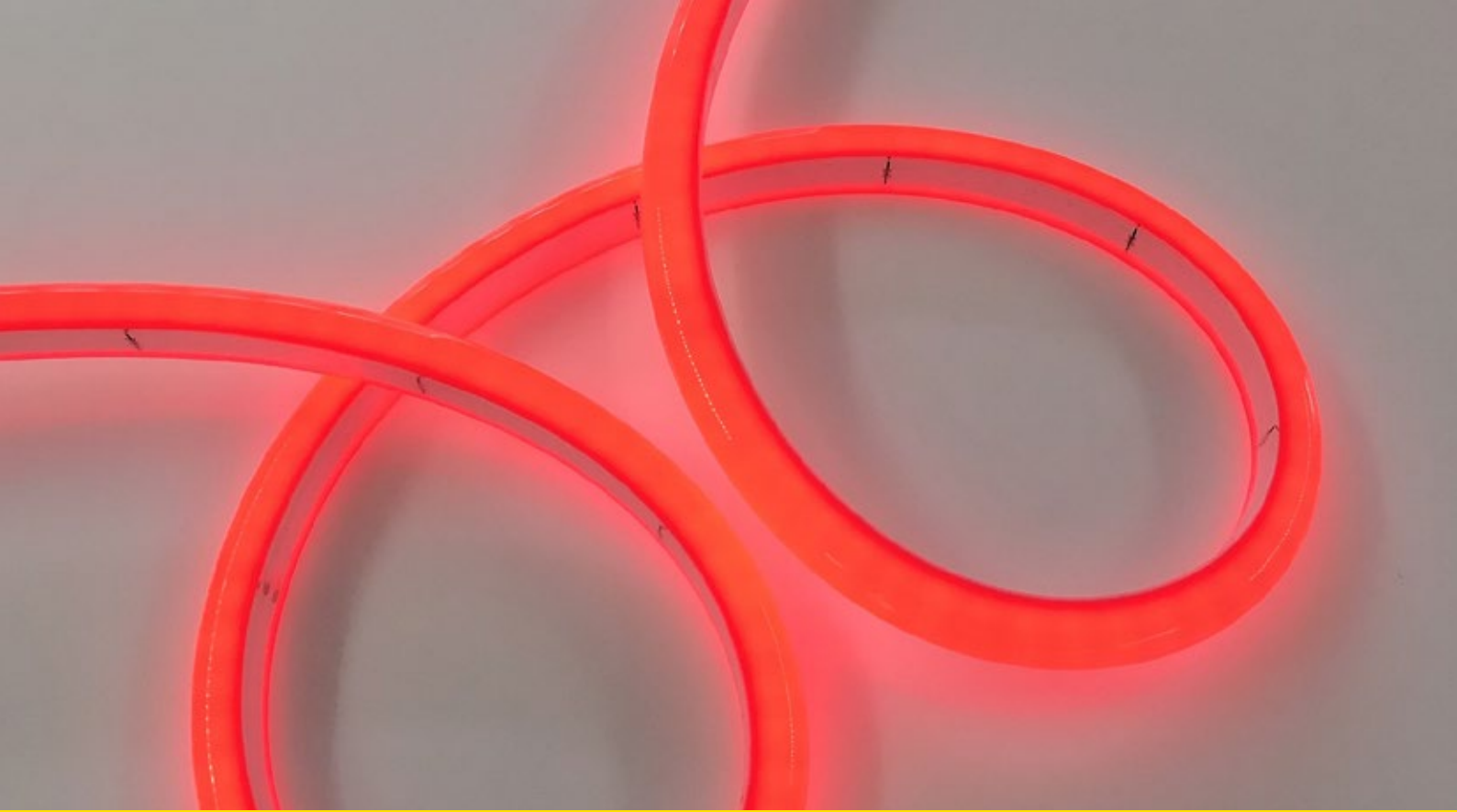
Item no	Description	Daytime colour	Nom. W/m
F-03000-W	Warm white - 15m adjustable	3000K	9.6W/m
F-04200-W	Daylight white - 15m adjustable	4200K	9.6W/m
F-06500-W	Cool white - 15m adjustable	6500K	9.6W/m
F-00585-Y	Yellow - 15m adjustable	585-590nm	9.6W/m
F-00620-R	Red - 15m adjustable	620-625nm	9.6W/m
F-00520-G	Green - 15m adjustable	520-525nm	9.6W/m
F-00465-B	Blue - 15m adjustable	465-470nm	9.6W/m
F-00600-O	Orange - 15m adjustable	600-605nm	9.6W/m

ACCESSORIES

Item no	Description
F-18001	Aluminium Mounting Channel (1m)
F-18002	Aluminium Mounting Clip
F-18003	Power supply solder connection
F-18004	Power supply pin connection
F-18005	Power pin connection bottom
F-18006	Power pin connection side
F-18007	Linear pin connection
F-18008	L-shape pin connection
F-18009	Endcap set
F-18010	Silicon end cap
F-18011	Silicon glue (45ml)

POWER SUPPLY CAPACITY 24V SERIES

Power Supplies	PP24200	PP24150	PP24100	PP2460	PP2430
	24VDC - 200W	24VDC - 150W	24VDC - 100W	24VDC - 60W	24VDC - 30W
All Lucoflex colours (9.6W/m)	15m	14m	9m	5.6m	2.8m



LUCOFLEX D

- *Extremely flexible, UV stable, impact resistant and flame retardant silicon extrusion*
- *Protection class IP68*
- *5 year warranty*
- *5 colours and white, daytime colours when non-illuminated*
- *Bright, dot-free and homogeneous light*
- *Runs up to 15 meters on only one power supply*
- *Adjustable in length, cuttable every 50mm, 30mm top bend radius.*

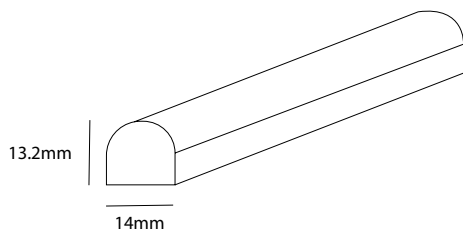
Lucoflex D is the world's first worthy alternative to neon lighting and signage. With its extreme flexibility and wide colour pallet Lucoflex provides neon artists and lighting designers the creative freedom they are looking for, while still delivering a high-efficient, reliable, long life and maintenance free solution.

Lucoflex D is perfect for architectural exterior and interior lighting applications as it provides high performance, dot-free and homogeneous light, ideal for highlighting the perimeters and outlines of buildings, canopies, letters, signs and open-face channel letters.

Our flexible, IP68 protected silicon extrusion is UV stable, impact resistant, flame retardant and has a high resistance to chemicals and environmental influences, and is therefore backed by our 5 year warranty.

SPECIFICATIONS

- Dimensions:
14mm (W) x 13.2mm (H)
Lengths of 15m (cuttable every 50mm)
- UV stable, impact resistant and flame retardant silicon extrusion
- 5 year warranty
- In-field flat bend of 30mm
- UL, CE and RoHS compliant
- Constant Current Technology
- Power per meter: 7.7W/m
- Protection class IP68
- Operating temperature -25°C ~ +60°C
- in-field flat bend of 30mm (radius)



LUCOFLEX TUBES

Item no	Description	Daytime colour	Nom. W/m
FD-06500-W	Cool white - 15m adjustable	6500K	7.7W/m
FD-00585-Y	Yellow - 15m adjustable	585-590nm	7.7W/m
FD-00620-R	Red - 15m adjustable	620-625nm	7.7W/m
FD-00520-G	Green - 15m adjustable	520-525nm	7.7W/m
FD-00465-B	Blue - 15m adjustable	465-470nm	7.7W/m
FD-00600-O	Orange - 15m adjustable	600-605nm	7.7W/m

ACCESSORIES

Item no	Description
FD-18001	Aluminium Mounting Channel (1m)
FD-18002	Aluminium Mounting Clip
FD-18003	End cap hole
FD-18004	Plastic mounting clip
FD-18010	End cap
F-18011	Silicon glue (45ml)

POWER SUPPLY CAPACITY 24V SERIES

Power Supplies	PP24200	PP24150	PP24100	PP2460
	24VDC - 200W	24VDC - 150W	24VDC - 100W	24VDC - 60W
All Lucoflex D colours (7.7W/m)	23m	17m	12m	7m



LUCOFLEX RGB-TOP BEND

- *Extremely flexible, UV stable, impact resistant and flame retardant silicon extrusion*
- *Protection class IP67*
- *4 year warranty*
- *Full color range with RGB controller*
- *Adjustable in length, cuttable every 50mm*
- *Interfaces with all automation and control systems*

Lucoflex RGB offers a high quality colour changeable, flexible, solution for contour lighting, cove lighting and any other application requiring a colour matched product.

Lucoflex RGB-TB is a top bending flexible RGB product. Lucoflex RGB is designed for outdoor use, using solder connections and sealed silicon endcaps. It offers a spotless, bright effect. Even visible in daylight circumstances. Lucoflex RGB-TB can be used for outdoor, colour changing, building contours or accents.

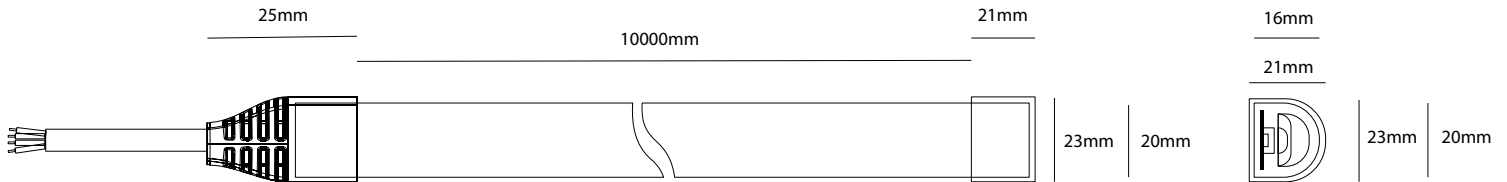
Lucoflex RGB can be controlled by all available control systems in the market, offering maximum flexibility for your projects.

SPECIFICATIONS

- Dimensions:
20mm (W) x 16mm (H)
Lengths of 10m
Cuttable every 50mm
- UV stable, impact resistant and flame retardant silicon extrusion
- 4 year warranty
- In-field flat bend of 100mm
- UL, CE and RoHS compliant
- Constant Current Technology
- Power per meter: 17.3W/m (RGB all on)
- Protection class IP67
- Operating temperature -25°C ~ +60°C



DIMENSIONS



LUCOFLEX RGB TOP-BEND TUBES & ACCESSORIES

Item no	Description
F-RGB-TB	RGB Top Bend - 10m adjustable
F-RGB-TB-PCIS	RGB Top Bend power supply connection set
F-RGB-TB-EC	RGB Top Bend end caps
F-RGB-TB-CLIPS	RGB Top Bend Plastic mounting clips

POWER SUPPLY CAPACITY 24V SERIES

Power Supplies	PP24200	PP24150	PP24100
	24VDC - 200W	24VDC - 150W	24VDC - 100W
Lucoflex RGB (17.3W/m if RGB all full on)	10m	8m	5m



LUCOFLEX RGB-SIDE BEND

- *Extremely flexible, UV stable, impact resistant and flame retardant silicon extrusion*
- *Protection class IP67*
- *4 year warranty*
- *Full color range with RGB controller*
- *Adjustable in length, cuttable every 50mm*
- *Interfaces with all automation and control systems*

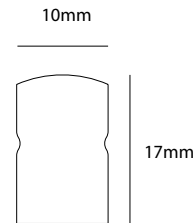
Lucoflex RGB offers a high quality colour changeable, flexible, solution for contour lighting, cove lighting and any other application requiring a colour matched product.

Lucoflex RGB-TB is a side bending flexible RGB product. Lucoflex RGB is designed for outdoor use, using solder connections and sealed silicon endcaps. It offers a spotless, bright effect. Even visible in daylight circumstances. Lucoflex RGB-SB can be used for outdoor, colour changing, neon-like signage or accents.

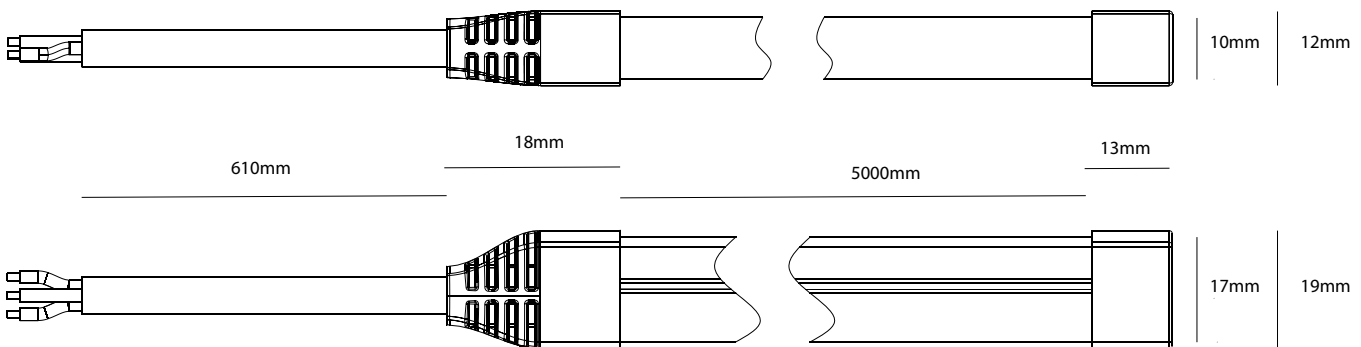
Lucoflex RGB can be controlled by all available control systems in the market, offering maximum flexibility for your projects.

SPECIFICATIONS

- Dimensions:
10mm (W) x 17mm (H)
Lengths of 5m
Cuttable every 50mm
- UV stable, impact resistant and flame retardant silicon extrusion
- 4 year warranty
- In-field side bend of 15mm
- UL, CE and RoHS compliant
- Constant Current Technology
- Power per meter: 17.3W/m (RGB all on)
- Protection class IP67
- Operating temperature -25°C ~ +70°C



DIMENSIONS

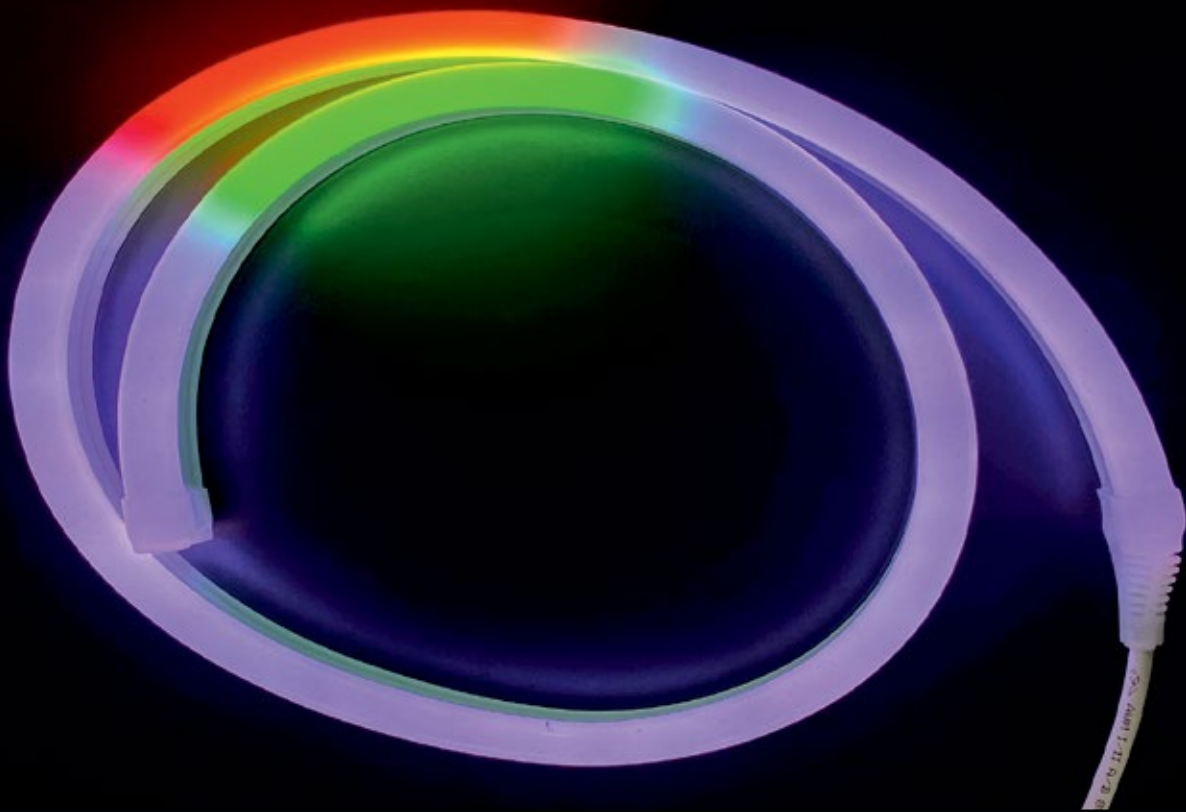


LUCOFLEX RGB SIDE-BEND TUBES & ACCESSORIES

Item no	Description
F-RGB-SB	RGB Side Bend - 5m adjustable
F-RGB-SB-PCIS	RGB Side Bend power supply connection set
F-RGB-SB-EC	RGB Side Bend end caps
F-RGB-SB-CLIPS	RGB Side Bend Plastic mounting clips
F-RGB-SB-ACS	RGB Side Bend Aluminium mounting clips
F-RGB-SB-ACL	RGB Side Bend 1m mounting profile

POWER SUPPLY CAPACITY 24V SERIES

Power Supplies	PP24200	PP24150	PP24100
	24VDC - 200W	24VDC - 150W	24VDC - 100W
Lucoflex RGB (17.3W/m if RGB all full on)	10m	8m	5m



LUCOFLEX RGB-DOT CONTROLLABLE

- *Extremely flexible, UV stable, impact resistant and flame retardant silicon extrusion*
- *Protection class IP67*
- *3 year warranty*
- *Full color range and dot controllable with RGB controller supporting TM1914 chip*
- *Adjustable in length, cuttable every 100 mm*
- *Interfaces with all automation and control systems*
- *App and DMX control options*

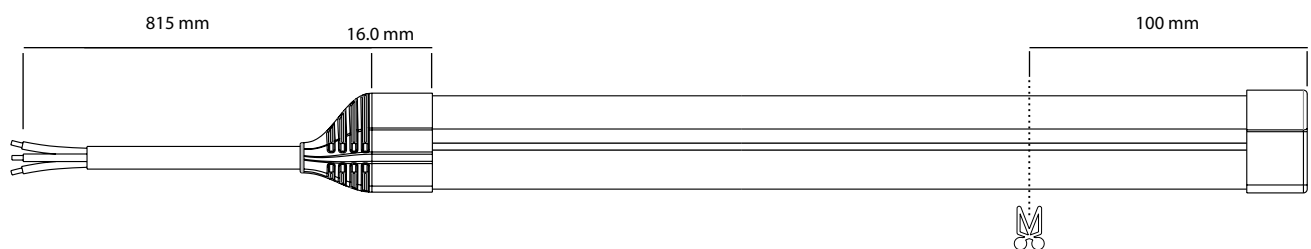
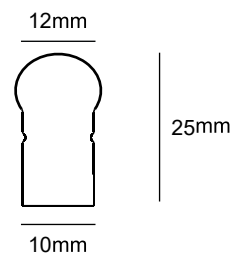
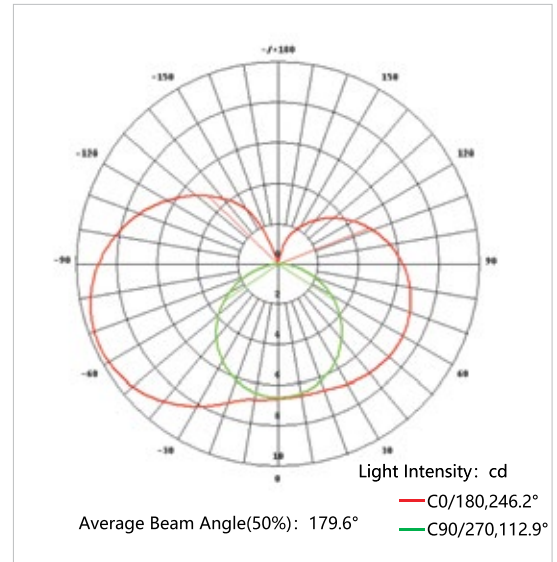
Lucoflex RGB-DC offers a high quality colour changeable, dot controllable, flexible, solution for contour lighting, cove lighting and any other application requiring a colour matched product.

Lucoflex RGB-DC is a side bending flexible RGB product. Lucoflex RGB is designed for outdoor use, using solder connections and sealed silicon endcaps. It offers a spotless, bright effect. Even visible in daylight circumstances. Lucoflex RGB-DC can be used for animated outdoor, colour changing, neon-like signage or accents.

Lucoflex RGB-DC can be controlled by control systems supporting the TM1914 chip.

SPECIFICATIONS

- Dimensions:
10mm (W) x 17mm (H)
Lengths of 5m
Cutttable every 100mm
- UV stable, impact resistant and flame retardant silicon extrusion
- 3 year warranty
- In-field side bend of 30 mm
- UL, CE and RoHS compliant
- TM1914 RGB chip
- Power per meter: 15 W/m (RGB all on)
- Protection class IP67
- Operating temperature -250C ~ +700C



LUCOFLEX RGB-DC TUBES & ACCESSORIES

Item no	Description
F-RGB-DC-5	RGB DC - 5m adjustable
F-18003	Silicon Endcap with Hole (3 included per 5 m)
F-180010	Silicon Endcap (3 included per 5 m)
F-18002	Aluminium mounting clip
F-18001	Aluminium mounting profile (1 m)
F-18011	Silicon glue

LUCOFLEX RGB-DC CONTROLLERS

Item no	Description
F-SP105E	Magic Controller, free app control
F-SP107E	Music Controller, free app control
F-MR502	DMX controller

POWER SUPPLY CAPACITY 24V SERIES

Power Supplies	PP24200	PP24150	PP24100
	24VDC - 200W	24VDC - 150W	24VDC - 100W
Lucoflex RGB-DC (15 W/m if RGB all full on)	12m	9m	6m

maximum 5 m per single run



LUCOFLEX SLIM EXTREME CUTTABLE

- *Extremely flexible, UV stable, impact resistant and flame retardant silicon extrusion*
- *Protection class IP67*
- *5 year warranty*
- *Wide colour pallet, daytime colours when non-illuminated*
- *Bright, dot-free and homogeneous light*
- *Adjustable in length, cuttable every 10.4mm*

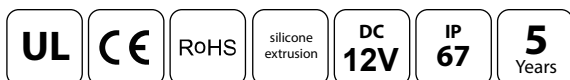
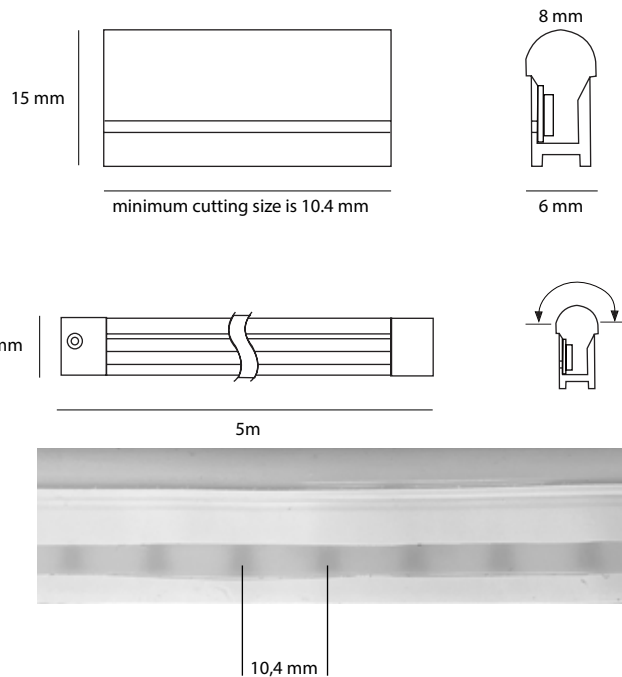
Lucoflex Slim Extreme Cuttable is the most flexible neon-replacement product currently available. It can be bent in a very small radius, allowing full artistic freedom as with traditional neon. As it can be cut every 10.4 mm it gives unlimited freedom to create any text or shape without having to think about cut distances.

The product is made with the latest in-mold silicon extrusion technology, UV resistant, weatherproof, non-yellowing.

Lucoflex slim extreme cuttable is a true low-power LED replacement for small neon signs and art pieces, available in 5 bright, even, colours.

SPECIFICATIONS

- Dimensions:
 - 8 mm (W) x 15mm (H)
 - Lengths of 5 m
 - Cuttable every 10.4 mm
- UV stable, impact resistant and flame retardant silicon extrusion
- 5 year warranty
- UL, CE and RoHS compliant
- Constant Current Technology
- Power per meter: 11,5 W/m
- Protection class IP67
- 280 lm/m (white)
- Operating temperature -25°C ~ +60°C
- in-field flat bend of 30 mm (radius)



LUCOFLEX TUBES

Item no	Description		Daytime colour	Nom. W/m
FX-3000-W	Warm white - 5m adjustable		3000K	11,5 W/m
FX-6000-W	Cool white - 5m adjustable		6000K	11,5 W/m
FX-00620-R	Red - 5m adjustable		620-625nm	11,5 W/m
FX-00520-G	Green - 5m adjustable		520-525nm	11,5 W/m
FX-00465-B	Blue - 5m adjustable		465-470nm	11,5 W/m
FX-00590-Y	Yellow - 5m adjustable		590-595nm	11,5 W/m

ACCESSORIES

Item no	Description
FS-18001	Silicon endcap straight hole
FS-18002	Silicon endcap left hole
FS-18003	Silicon endcap bottom hole
FS-18004	Silicon endcap right hole
FS-18005	Silicon endcap no hole
F-18011	Silicon glue (45ml)

POWER SUPPLY CAPACITY 12V SERIES

Power Supplies	PP12200	PP12150	PP12100	PP1260	PP1230
Maximum 5 m per single continuous feed	12VDC - 200W	12VDC - 150W	12VDC - 100W	12VDC - 60W	12VDC - 30W
All Lucoflex Slim tubes (11,5 W/m)	15,6 m	11,7m	7,8 m	4,7 m	2,3 m



LUCOFLEX SLIM

- *Extremely flexible, UV stable, impact resistant and flame retardant silicon extrusion*
- *Protection class IP67*
- *5 year warranty*
- *Wide colour pallet, daytime colours when non-illuminated*
- *Bright, dot-free and homogeneous light*
- *Adjustable in length, cuttable every 55mm*
- *Interfaces with all automation and control systems*

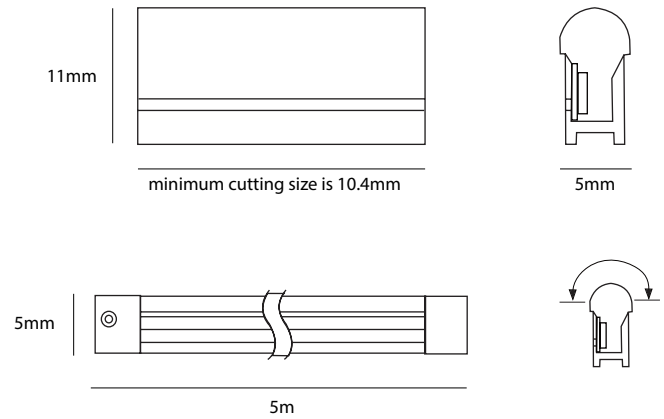
Lucoflex SLIM is the most flexible neon-replacement product currently available. It can be bent in a very small radius, allowing full artistic freedom as with traditional neon.

The product is made with the latest in-mold silicon extrusion technology, UV resistant, weatherproof, non-yellowing.

Lucoflex slim is a true low-power LED replacement for small neon signs and art pieces, available in 6 bright, even, colours.

SPECIFICATIONS

- Dimensions:
5mm (W) x 11mm (H)
Lengths of 5m (cuttable every 55mm)
Cuttable every 55mm
- UV stable, impact resistant and flame retardant silicon extrusion
- 5 year warranty
- UL, CE and RoHS compliant
- Constant Current Technology
- Power per meter: 10,8W/m
- Protection class IP67
- 600-650lm/m
- Operating temperature -25°C ~ +60°C
- in-field flat bend of 10mm (radius)



LUCOFLEX TUBES

Item no	Description		Daytime colour	Nom. W/m
FS-3000-W	Warm white - 5m adjustable		3000K	10,8W/m
FS-6000-W	Cool white - 5m adjustable		6000K	10,8W/m
FS-00585-Y	Yellow - 5m adjustable		585-590nm	10,8W/m
FS-00620-R	Red - 5m adjustable		620-625nm	10,8W/m
FS-00520-G	Green - 5m adjustable		520-525nm	10,8W/m
FS-00465-B	Blue - 5m adjustable		465-470nm	10,8W/m

ACCESSORIES

Item no	Description
FS-18001	Silicon wire 200mm
FS-18002	Silicon endcap
FS-18003	RVS mounting clip
FS-18006	Mounting profile (1m)
F-18011	Silicon glue (45ml)

POWER SUPPLY CAPACITY 24V SERIES

Power Supplies	PP24200	PP24150	PP24100	PP2460	PP2430
	24VDC - 200W	24VDC - 150W	24VDC - 100W	24VDC - 60W	24VDC - 30W
All Lucoflex Slim tubes (10,8W/m)	17m	12,5m	8m	5m	2,5m



LUCOLED POWER SUPPLIES AND CONTROLS

- *7 years warranty*
- *Wide Voltage Input*
- *OVP, OCP, SCP, OTP protection function*
- *IP67 / IP68 Rating*
- *Class 2*
- *DMX/RF Dim option*
- *DMX/WIFI/RF control options*

Lucoled offers a full range of Premium Power Supplies. The various power options help you to match the installed power capacity to the total power used by your LED installation.

Lucoled Premium Power Supplies are designed and tested for safety, long life and reliability.

All power supplies are designed for outdoor use and carry all required international agency markings.

SPECIFICATIONS 12V POWER SUPPLIES

Output Voltage	12V
Working temperature range	-40°C~+65°C
Input Voltage Range	100VAC~240VAC
Input Frequency Range	50~60Hz
Protective Characteristics	Over-Current, Short-Circuit, Over Voltage and Over-Temperature protection
IP Rating	IP68
MTBF	≥70000hrs. MIL-HDBK-217F(25°C)
Warranty	7 Years, first 2 years extended.

Code	Output Current	Output Power	Input Current	Efficiency	Size (l x w x h)	Weight
PP1260	5A	60W	0.65A/115V - 0.35A/230V	≥86%	184x44x34mm	0,52kg
PP12100	8.33A	100W	1.1A/115V - 0.55A/230V	≥90%	204x67x35mm	0,88kg
PP12150	12.5A	150W	1.6A/115V - 0.8A/230V	≥92%	234x68x35mm	1kg
PP12200	16A	200W	2.8A max	≥88%	295x60x36mm	1,1kg

SPECIFICATIONS 24V POWER SUPPLIES

Output Voltage	24V
Working temperature range	-40°C~+65°C
Input Voltage Range	100VAC~240VAC
Input Frequency Range	50~60Hz
Protective Characteristics	Over-Current, Short-Circuit, Over Voltage and Over-Temperature protection
IP Rating	IP68
MTBF	≥70000hrs. MIL-HDBK-217F(25°C)
Warranty	7 Years, first 2 years extended.

Code	Output Current	Output Power	Input Current	Efficiency	Size (l x w x h)	Weight
PP2430	1.25A	30W	0.35A/115V - 0.19A/230V	≥84%	187x41x29mm	0,5kg
PP2460	2.5A	60W	0.65A/115V - 0.35A/230V	≥87%	184x44x34mm	0,52kg
PP24100	4.16A	100W	1.1A/115V - 0.55A/230V	≥92%	204x67x35mm	0,88kg
PP24150	6.25A	150W	1.6A/115V - 0.8A/230V	≥93%	234x68x35mm	1kg
PP24200	8.34A	200W	2.8A max	≥90%	295x60x36mm	1,1kg

SPECIFICATIONS SLIM SHORT POWER SUPPLIES

Output Voltage	12V
Working temperature range	-25°C~+45°C
Input Voltage Range	200VAC~240VAC
Input Frequency Range	50~60Hz
Protective Characteristics	Over-Current, Short-Circuit, Over Voltage protection
IP Rating	IP67
MTBF	≥50000hrs. MIL-HDBK-217F(25°C)
Warranty	7 Years, first 2 years extended.

Code	Output Voltage	Output Current	Output Power	Input Current	Efficiency	Size (l x w x h)	Weight
PPXS1230	12 V	2.5A	30W	0.22A/200-240VAC	≥85%	183x35x20mm	0,25kg
PPXS1260	12 V	5A	60W	0.38A/200-240VAC	≥87%	183x35x20mm	0,25kg
PPXS12100	12 V	8.3A	100W	0.7A/200-240VAC	≥90%	203x35x20mm	0,32kg
PPXS24100	24 V	4.2A	100W	0.7A/200-240VAC	≥90%	203x35x20mm	0,32kg



Important:

- Lucoled recommends loading power supplies up to 90% of their maximum listed capacity.
- Select a power supply for your installation loaded at more than 50% of its maximum load to meet Power Factor regulations.
- Install with adequate ventilation and not in direct sunlight.
- Power supplies to be installed by trained and certified staff.

SPECIFICATIONS RF RGB(W) & DIM CONTROL OPTIONS

Input/Output Voltage	12V – 24V
Working temperature range	-30°C~+55°C
IP Rating	IP20
Warranty	5 Years
Diming method (0-100%)	PWM

Code	Output	Output Current	Output Power 12 V	Output Power 24 V
LTECH-M3/M3-3A	RGB	3x3 A	108 W	216 W
LTECH-M6/M3-3A	RGB	3x3 A	108 W	216 W
LTECH-M4/M4-5A	RGBW	4x5 A	144 W	288 W
LTECH-M8/M4-5A	RGBW	4x5 A	144 W	288 W
LTECH-M1/M3-3A	MONO	3x3 A	108 W	216 W



SPECIFICATIONS DMX RGBW & DIM CONTROL OPTIONS

Input/Output Voltage	12V – 24V
Working temperature range	-30°C~+55°C
IP Rating	IP20
Warranty	5 Years
Diming method (0-100%)	PWM

Code	Output		Input	Output Current	Output Power 12 V	Output Power 24 V
LTECH-LT-820-5A	RGBW	Controller	DMX	4x5 A	240 W	480 W
LTECH-LT-854-5A	RGBW	Controller	DMX	4x5 A	240 W	480 W
LTECH-LT-811-12A	MONO	Controller	DMX	1x12A	144 W	288 W
LTECH-EX1S	DMX	Touch Panel	Manual			
LTECH-EX4S	DMX	Touch Panel	Manual			
LTECH-UX8	DMX	Touch Panel 4 Zones	Manual/WIFI/RF			
LTECH-LM-150-12-G1M2	12 V	Power Supply	DMX	12.5 A	150 W	-
LTECH-LM-150-24-G1M2	24 V	Power Supply	DMX	6.25 A	-	150 W



SPECIFICATIONS WIFI RGBW CONTROL OPTIONS

Input/Output Voltage	12V – 24V
Working temperature range	-30°C~+55°C
IP Rating	IP20
Warranty	5 Years
Diming method (0-100%)	PWM

Code	Output		Input	Output Current	Output Power 12 V	Output Power 24 V
LTECH-WIFI-101	DMX	Controller	WIFI (APP)			
LTECH-WIFI-104	RGBW	Controller	RF/WIFI	4x4 A	192 W	384 W
LTECH-WIFI-106	RGBW	Controller	RF/WIFI	4x4 A	192 W	384 W
LTECH-F4-5A	RGBW	Receiver	RF (WIFI-106)	4x5 A	240 W	480 W
LTECH-R4-5A	RGBW	Receiver	RF (WIFI-104)	4x5 A	240 W	480 W
LTECH-EBOX-DMX	DMX	Bridge	RF (WIFI-106)			



SPECIFICATIONS MANUAL EXTERNAL DIMMING OPTION

Input/Output Voltage	12V – 24V
Working temperature range	0°C~+45°C
Output Current Max Range	8 A
IP Rating	IP20
Warranty	3 Years
Diming Method (0-100%)	PWM

Code	Output Current	Output Power 12 V	Output Power 24 V
DIM-PS	8 A	96 W	192 W





LUCOLED

Experience Lighting

LUCOLED NV

Industriepark 32b
3290 Diest
Belgium

www.lucoled.com

P: +32 (0)13 292829
E: info@lucoled.com

LUCOLED NV

Rotterdamseweg 388F
2629 HG Delft
The Netherlands

P: +31 (0)15 3649186

YOUR DEALER: